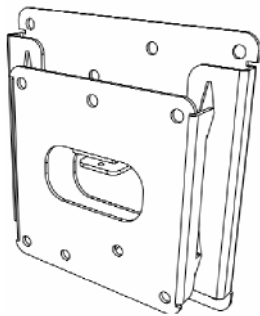


TELEHOOK™

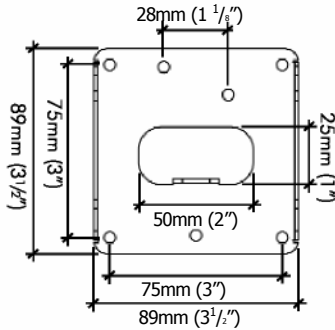
Technical Specifications 12-24 Wall Mount

Technical Specifications

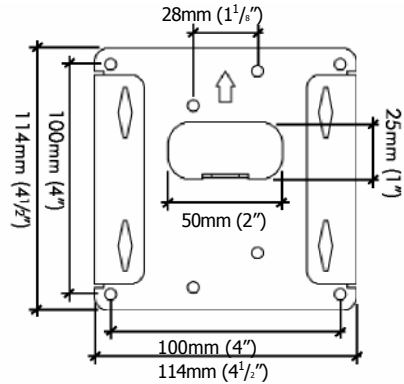
! IMPORTANT: Please read these instructions before commencing installation as faulty installation could be **dangerous** ! Telehook 12-24 supports 12" (30cm) to 24" (61cm) display weighing up to 11kg (24.4lbs)
! It is dangerous to overload the product



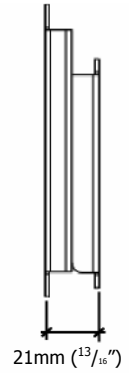
Combined 75mm and 100mm Mounting Plates



75mm Mounting Plate



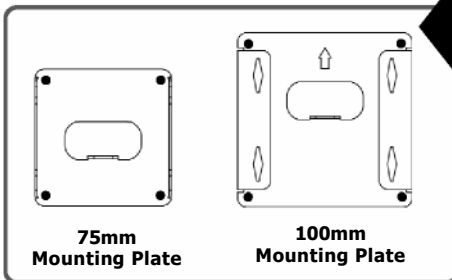
100mm Mounting Plate



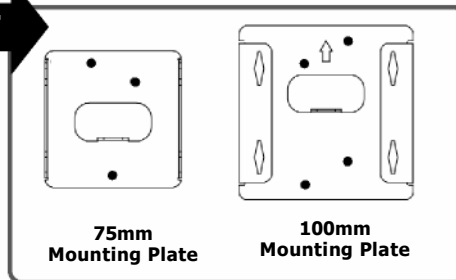
Side View

Mounting Options (Bolt Patterns)

Mounting hole pattern for:
Drywall, Brick, and Masonry Walls

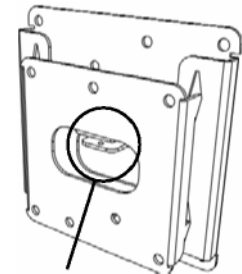


Mounting hole pattern for:
Timber Stud - ONLY



or

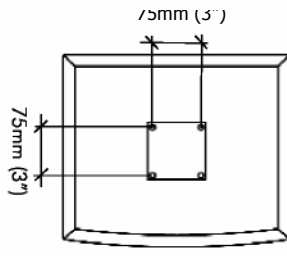
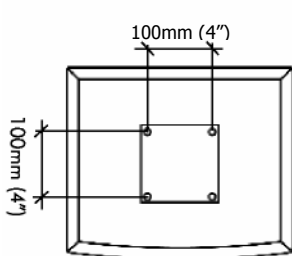
Security



Protruding tabs screwed together for additional security

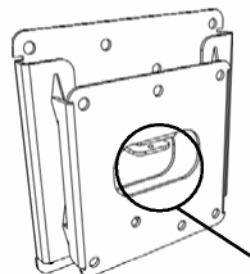
Suits VESA hole Patterns

Telehook 12-24 suits displays with 100mm x 100mm (4" x 4") or 75mm x 75mm (3" x 3") VESA mounting hole patterns.



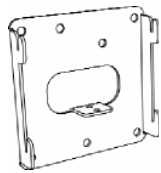
Cable Management

If required, feed the monitors cables through the Cable Management Hole in the mounting plate.

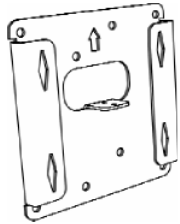


Cable Management Hole

Component Checklist



75mm Mounting Plate



100mm Mounting Plate

Bit Bag

- 4g Locking Screw (x1)
- M4 x 10mm Screws (x4)
- 8g x 25mm Screws (x4)
- Nylon Anchor Plugs (x4)
- Dry Wall Anchor (x4)

A Attach the Mounting Plates

! IMPORTANT - Install Wall Mount as per Installation Instructions

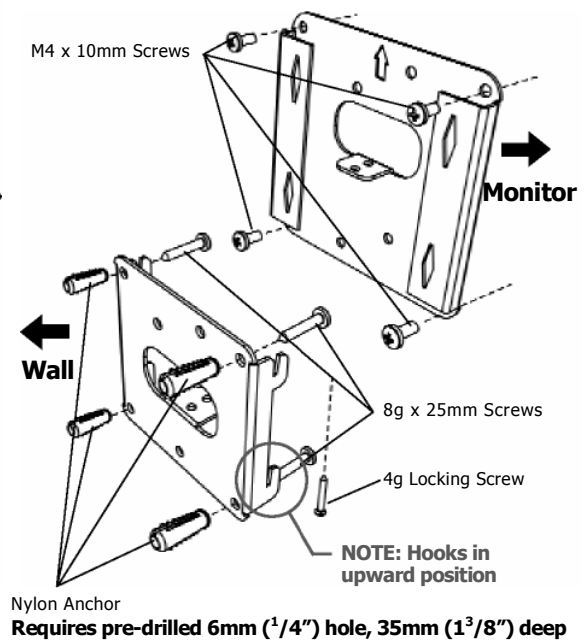
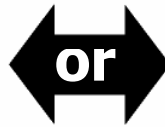
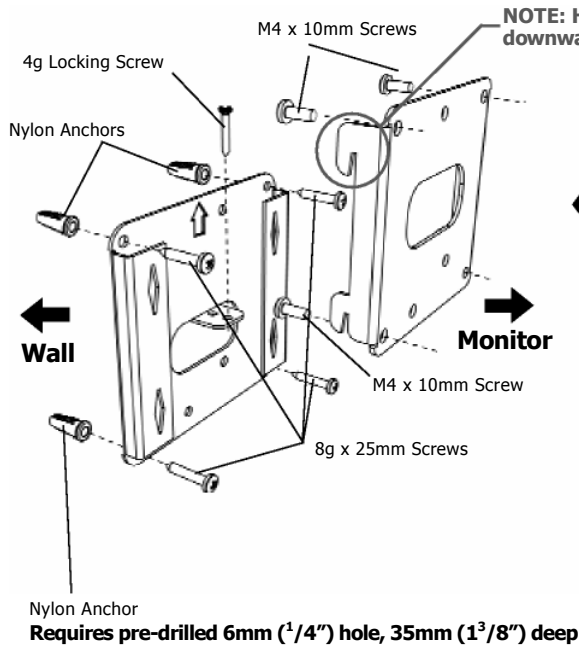
! The Wall Mount supports 12" (30cm) to 24" (61cm) displays weighing up to 11kg (24.4lbs) !
The manufacturer accepts no responsibility for incorrect installation

A1 Mounting to Masonry Walls

For displays with 75mm x 75mm (3" x 3") mounting hole patterns:

reserves the right to alter

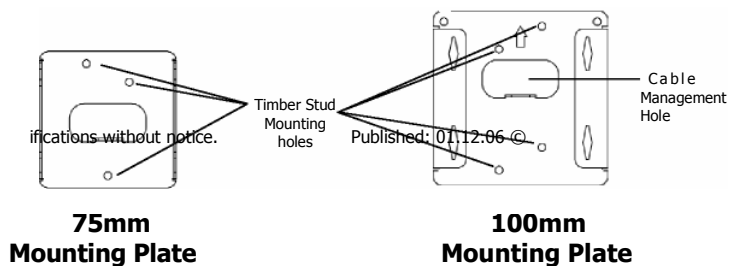
For displays with 100mm x 100mm (4" x 4") mounting hole patterns:



A2 Mounting to Timber Studs

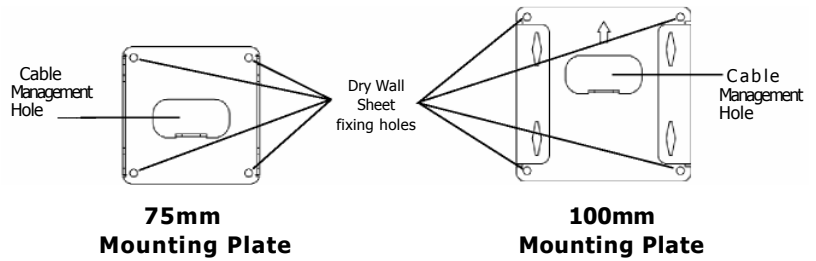
1. Using a similar method as the masonry wall mounting procedure above, attach either the 75mm or 100mm Mounting Plate to the display using the M4 x 10mm Screws.

2. Attach the remaining mounting plate to the wall using the four 8g x 25mm Screws through the **Timber Stud Mounting Holes** (as shown)



A3 Mounting to Dry Wall

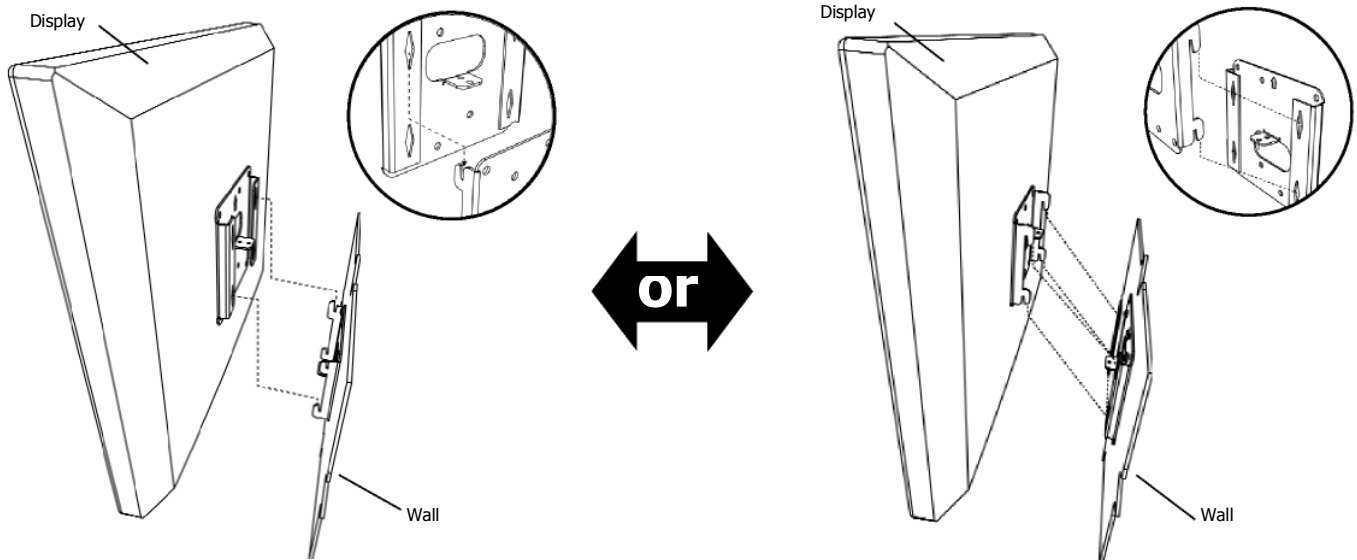
1. Using a similar method as the masonry wall mounting procedure in step **A1**, attach either the 75mm or 100mm Mounting Plate to the display using the M4 x 10mm Screws
2. Press Dry Wall Anchors into sheet by hand



IMPORTANT: Do Not Overtighten

B Cable Management - Use Cable Management holes in Mounting Brackets where appropriate

C Final Assembly



D Security (optional)

